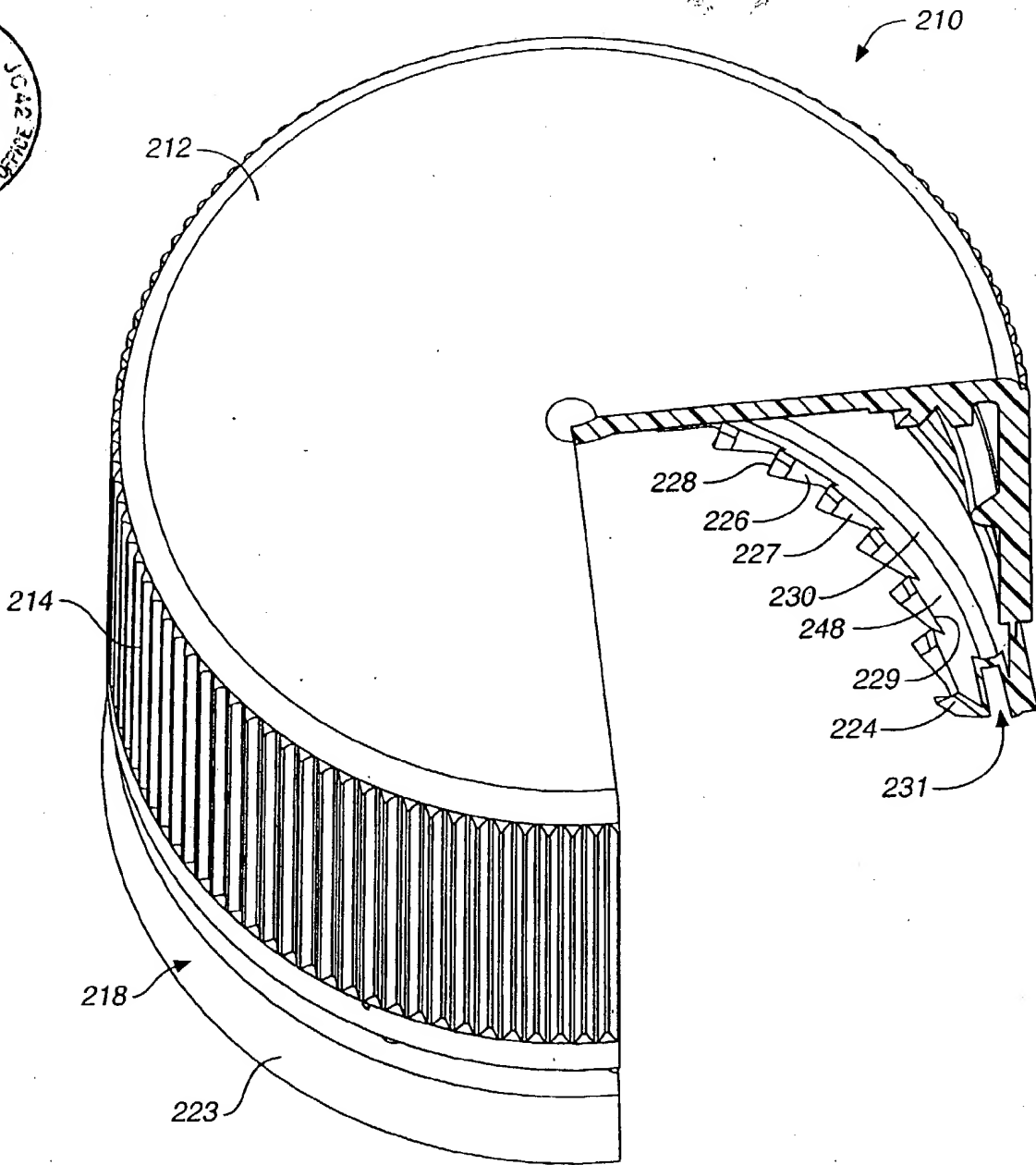


Approved  
3/5/04

**FIG. 13**

10/15



*Approved  
3/5/04  
S.*

**FIG. 14**